

# PARAGON®

A World of heat you can rely on

Glass-Fronted  
Gas Fires



Catalogue 2009



*Highly efficient glass-fronted fires for homes with or without a chimney*

## More efficient than conventional products

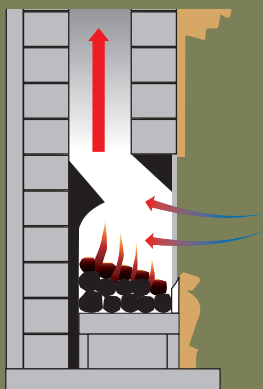
Fires working in a chimney draw warm air from the room into the chimney which is then replaced by cold air from the outside. This air then has to be heated by the fire, reducing efficiency and increasing costs.

The Paragon Focus range has been scientifically designed to reduce this airflow to a minimum, changing the room air just once per hour against a typical open-fronted gas fire which will change room air up to 12 times per hour.

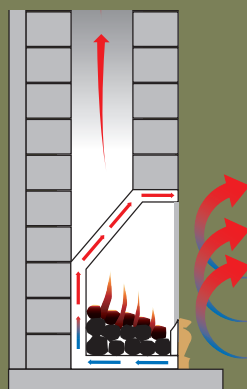
Minimum room air changes combined with superior thermal efficiency achieved by

ceramic glass-front technology gives this range a new level of efficiency and performance.

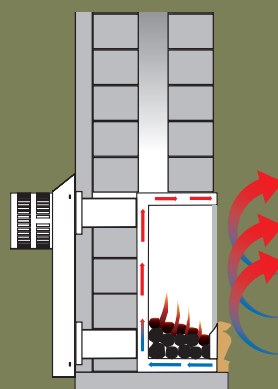
The Focus range of fires are now available for homes with or without a chimney and are amongst the most efficient designs available.



Typical open fronted gas fire changes room air up to 12 times per hour.



Paragon Focus HE changes room air just once per hour.



Paragon's Focus RS range does not produce any air changes per hour, as it is room sealed.

### Putting you in control

Choose from manual, slide or battery-operated remote control, which unlike other fires, not only adjusts the flame but lights the fire as well.



Manual Control



Slide Control



Battery Remote Control

### Fuel bed options



Coal fuel bed



Pebble fuel bed



Driftwood fuel bed

### At a glance symbols to help you choose

Flues	Fuel Beds	Control
Pre-cast	Coal	Remote
<b>1</b> Class I	Pebbles	Slide
<b>2</b> Five Inch (Class II)	Granular	Manual Control
Balanced	Paragonite	<b>Gas Type</b>
	Driftwood	<b>NG</b> Natural
		<b>LPG</b> LPG

## contents

### Conventional fires

The Focus Slimline	3
The Focus HE	4
The Focus RS	6



### Hole-in-the-wall fires

The Quartet CF Conventional flue	8
The Symphony CF Conventional flue	9
The Symphony BF Balanced flue	10
<b>Trim &amp; Fret Options</b>	12
<b>Optional Fascias</b>	13
<b>Specs &amp; Dimensions</b>	14



### Guaranteed quality

Designed to the highest standards, using only the finest materials, means we can be confident about every fire we make. So confident, in fact, each fire comes with a 3-year parts warranty.\*

\*Subject to terms and conditions.

# The Focus Slimline

*Fits most chimneys and pre-cast flues*

## Conventional fires

*Now you can have a real fire even where space is limited*

This attractive Focus Slimline fire is designed to give high efficiency in pre-cast flues and it fits easily into a 1" rebate fireplace.

- 4.1kW output
- 75% efficient ceramic glass technology
- Fuel bed protection
- Coal fuel bed
- Suitable for pre-cast flues
- Slide control option to eliminate the need to bend down to light the fire\*\*
- Excellent radiant heat output

\*\* Slide control is not available on hole-in-the-wall installations.



Focus Slimline brass Wellington fret and trim. Shown in Balmoral limestone mantel with LED illumination kit.



Focus Slimline chrome Gate fret and trim. Shown in Balmoral limestone mantel with LED illumination kit.

Features:



1

2

NG



3

# The Focus HE

## Conventional fires



Focus HE brass trim with antique Wellington fret. Shown with coal fuel bed.

*Gas fires with the new panoramic glass front*



Focus HE brass trim with antique Tulip fret. Shown with coal fuel bed.



Focus HE with brass Elegance trim and Gate fret. Shown with coal fuel bed.

Contemporary designs offering efficient heating for homes with a chimney, to fit either hole-in-the-wall or mantel fireplaces.

### Heat and efficiency

The new full-length glass window gives class-leading thermal efficiency.

- 4.4kW output
- 89% efficiency
- Ceramic glass technology

### Comfort and control

- Manual control concealed behind 'ashpan' cover
- New, easy-to-operate slide lever control available to end the need to bend down to light the fire
- The ultimate luxury – full sequential remote control, the last word in ease of operation – it even lights the pilot each time to save gas

### Looks

This fire can take on many different styles:

- Two fuel beds – coal or pebble
- 2 trim styles in up to 4 finishes
- 3 front styles in up to 4 finishes
- 4 contemporary hearth and hole-in-the-wall fascias
- Pixelated edge glass for clean, neat styling

### Flexible design

- Only requires a 4" minimum hearth depth from wall when floor mounted
- Can be mounted without a hearth with a 4-sided fascia
- Class 1 and 5" flue
- Natural gas or LPG



Focus HE black Gate and trim. Shown with pebble fuel bed.



Focus HE in stainless-steel Solar III fascia on hearth. Shown with pebble fuel bed.

For the complete range of trim and fret options available see the back cover.



Fascias for the Focus HE

Solar IV graphite grey fascia. Shown with pebble fuel bed.

Solar IV stainless steel fascia. Shown with pebble bed.

## Contemporary hole-in-the-wall designs

### Solar IV fascia

The slim, contemporary profile is enhanced with a simple, modern curved fret to complete the design. There is a choice of battery remote or easy-to-use manual controls situated behind the 'ashpan' cover.

### In graphite grey

This beautifully proportioned, hole-in-the-wall fire is available in the most contemporary of colour trims – graphite grey. The subtle colour option gives the Solar IV a new elegance and design originality.

### In stainless steel

A superb hole-in-the-wall fire, featuring a four-sided stainless-steel trim, ceramic glass window and life-like flames.

### Solar III fascia

This can be fitted on the whole Focus range either in stainless steel or brass. Now available with a slide control. A mini hearth is required for hole-in-the-wall mounting.



Solar III brass fascia. Shown with coal fuel bed.

Please note: The marble slips shown are not included with the fire but suitable slips are recommended to minimise heat transfer to the wall.

Features:

1 2        5

†† Not available for use with the Solar IV

# The Focus RS

## Conventional fires



Focus RS with brass Solar III fascia shown with coal fuel bed and Kelso mantel with downlights.

## Choose the look to suit your room



Focus RS brass trim with brass Gate fret. Shown with coal fuel bed.



Focus RS brass trim with brass Tulip fret. Shown with coal fuel bed.

## *One of the most efficient balanced-flue fires on the market*

The award-winning Paragon RS was a trail blazer in putting the fire back into the fireplace rather than in front of it. The next-generation Focus RS has been designed to build on this excellent foundation.

### Heat and efficiency

- 4.4kW output
- 85% efficiency
- Class 1 energy efficiency

### Comfort and control

This fire may be specified with either:

- Manual control concealed behind 'ashpan' cover
- The ultimate luxury – full sequential remote control, the last word in ease of operation – it even lights the pilot each time to save gas

### Looks

The Focus RS can take on many different styles:

- 3 fuel beds: coal, pebble and driftwood
- 4 trim colours
- 3 front styles in up to 4 finishes
- 4 contemporary hole-in-the-wall and hearth-mounted fascias
- Pixilated edge glass for clean, neat styling

### Flexible design

- Only requires a minimum of 4" hearth depth from the wall if floor mounted
- Can be mounted without a hearth using a 4-sided fascia
- Can be mounted in up to 1.18 metre thick wall. This makes it the fire of choice for houses where the chimney has either failed or been removed at roof level.



Focus RS with stainless-steel Solar III fascia. Shown with driftwood fuel bed.



Focus RS stainless-steel trim with silver Gate fret. Shown with pebble fuel bed.



Focus RS black trim with black Gate fret. Shown with pebble fuel bed.

For the complete range of trim and fret options available see page 12.



Focus RS graphite Solar IV. Shown with pebble fuel bed.

### Specifically designed for hole-in-the-wall installation with a balanced flue

#### The Focus RS – Solar IV fascia

The slim, contemporary profile is enhanced with a simple, modern curved fret to complete the design.

There is a choice of battery remote or easy-to-use manual controls situated behind the 'ashpan' cover.

#### In graphite grey

This beautifully proportioned, hole-in-the-wall fire is available in the most contemporary of colour trims – graphite grey. The subtle colour option gives the Solar IV a new elegance and design originality.

#### In stainless steel

A superb hole-in-the-wall fire, featuring a four-sided stainless-steel trim, ceramic glass window and life-like flames. Shown here with the realistic pebble fuel bed.

For cavities less than 75mm, depending upon thickness of inner leaf of wall materials, additional thickness ie: slips (as shown) will be required. This is also recommended to minimise heat transfer to the wall.



Focus RS stainless-steel Solar IV. Shown with driftwood fuel bed.

# The Quartet CF

Hole-in-the-wall fires



Stainless-steel and black Quartet with Carrara marble pebbles fuel bed

## Quartet CF

The stunning brand-new Quartet from Paragon offers a stylish mid-sized hole-in-the-wall gas fire that will enhance any modern living room.

The Quartet has all the look and feel of the popular landscape open-fronted gas fires but at the same time is an extremely impressive 84% efficient to meet today's conscientious customer demands.

Because of the size of the Quartet it can be installed in fireplaces with low lintels and still offer good ground clearance for that desirable hole-in-the-wall look.

## Fuel bed options for Quartet CF

Choose either a log bed or a pack containing both Paragonite stone & Carrara marble.



NEW Paragonite fuel bed



Carrara marble pebbles fuel bed



Log fuel bed

*Two new designs from Paragon setting the standard in efficiency for hole-in-the-wall fires.*

Introducing The Paragon Symphony and Quartet conventional flue, hole-in-the-wall fires. Two new stylish and contemporary designs that produce 84% efficiency.

Both have:

- Quartet output 3.2kW
- Symphony output 4.2kW
- Full sequence infra-red remote control which lights the pilot light as well as the fire, saving energy and carbon emissions
- Suitable for both Class I and Class II flues
- Glass-fronted high efficiency
- Trim options: Polished Stainless Steel or Brushed Stainless Steel
- Inner Panel Fascia Options: Graphite or Black



Chrome and grey Quartet with NEW Paragonite fuel bed

# The **Symphony** CF

For class I & II flues



Stainless-steel/black trim for hole-in-the-wall application

## **Symphony CF**

The new Paragon Symphony conventional flue is a large contemporary hole-in-the-wall gas fire that can be installed into an existing fireplace.

Like the Quartet, the glass-fronted Symphony has the look and feel of the popular landscape open-fronted fires but at the same time is an extremely impressive 84% efficient to meet today's conscientious customer demands.

The Symphony is the ultimate combination of style, design and efficiency, setting a new standard in gas hole-in-the-wall fires.

A log-effect fuel bed with embers and bark provides a very realistic and warming flame.



Chrome/black trim for hole-in-the-wall application



Black Ceres 3-sided trim for hearth mounting



Chrome Ceres 3-sided trim for hearth mounting

Features:

1

2



NG

9

# The **Symphony** BF

Hole-in-the-wall fires



Symphony fitted as hole-in-the-wall fire.

## *Symphony – a fusion of innovation, style and efficiency*

Once in a while a new idea arrives that moves a concept to a new level. The Paragon Symphony balanced-flue fire is such a product.

Large balanced-flue fires like this have been made before, but until now they have involved a false chimney breast being built to contain the flue.

The Symphony BF removes the need for this and can be installed on any suitable outside wall in a fireplace of the correct rebate.

This is but one of many innovative ways of installing it in your home. It can be flued vertically as a new installation or retro-fitted through a disused chimney breast. If there is no suitable outside wall, the fire can be sited up to 5 metres from an external wall and still give you the unrivalled safety and efficiency of a room-sealed balanced-flue fire.

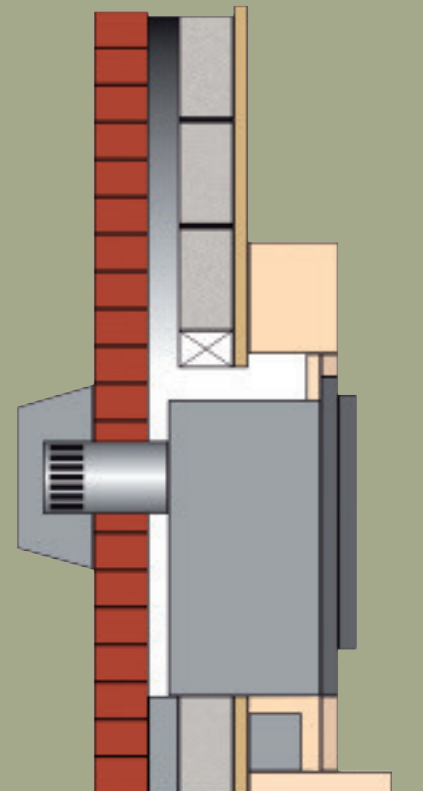
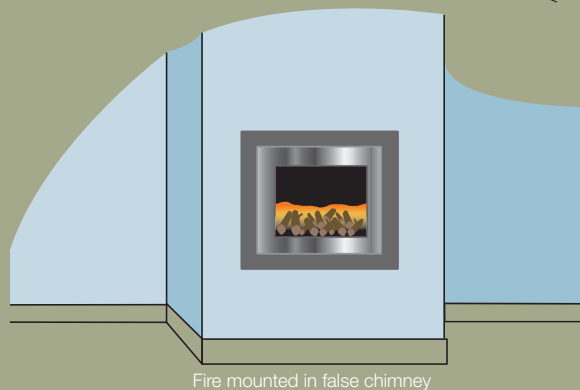
For full details of flue options, ask your dealer for more information.



Symphony shown in Sarum mantel.

### Traditional or hole-in-the-wall installation

- 90% efficiency - meets the European Class One energy efficiency standard
- Ultra-realistic logs with embers and bark, providing soft relaxing flames
- Can be rear flued in deep rebate mantle to avoid false chimney breast
- Attractive metallic carbon-steel and black fascia
- Fire can even be mounted across the corner of the room
- Two output rates: 4.5kW rear vent or 5.8kW top vent
- Flexible installation
- Log-effect fuel bed with embers and bark providing very realistic and warming flame



Features:

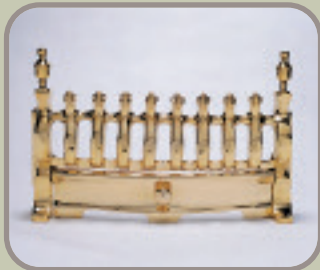


# Trim & Fret options

Choose the perfect trim & fret for your fire

## Conventional fires

### Fret options



Wellington brass



Wellington antique



Wellington chrome



Wellington black



Tulip brass



Tulip antique



Tulip black



Gate brass

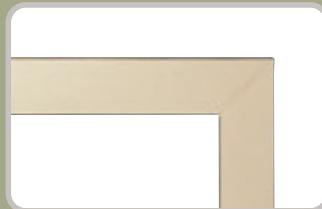


Gate chrome

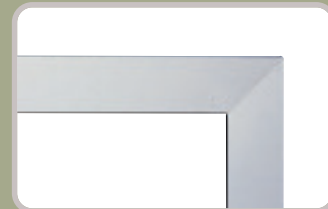


Gate black

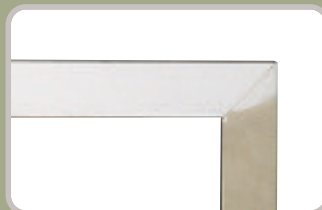
### Standard fire trim options



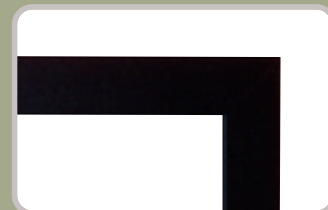
Brass



Brushed stainless steel



Chrome



Black

### Elegance and Contrast fire trim options



Elegance brass



Elegance silver



Contrast brass



Contrast chrome



Contrast stainless steel

### Post trim options



Satin



Black



Brass

# Trims

## Conventional & hole-in-the-wall fires

### Solar IV trim options Focus RS, HE and Slimline only



Graphite grey 4-sided



Stainless steel 4-sided

#### Solar IV

Featuring a unique 4-sided trim that is laser profiled from a single sheet of metal to make it mitre free. Designed for installation as Hole-in-the-wall fires.

### Solar III trim options Focus RS, HE and Slimline only



Brass 3-sided



Stainless steel 3-sided

#### Solar III

The Solar III is designed for installation on a conventional fire

### Ceres trim options Symphony CF Only



3-sided Black



3-sided Chrome

### Quartet trim CF options:



Stainless Steel and Black



Chrome and Grey

or a combination of the two

### Symphony BF trim:



Black

### Symphony CF trim options:



Stainless steel and black



Chrome and black

or a combination of the two

## Choosing the right fire for your lifestyle

### Suitable flue types



Chimney



Pre-fabricated flue



Pre-cast flue



No chimney or flue

**A brick chimney** (Class 1) is recognised by a chimneystack with accompanying terracotta pot or gas terminal. Suitable for the Focus HE, Focus Slimline, Quartet CF and Symphony CF.

**A pre-fabricated flue** has a metal flue and terminal. Suitable for the Focus HE, Focus Slimline, Quartet CF and Symphony CF.

**A pre-cast flue** can be identified by a ridge vent or metal flue tube and terminal. Suitable for the Focus Slimline in certain circumstances but additional building work will be required.

**No chimney or flue** – if you have nothing on your roof you probably have no chimney or flue. In this case a balanced flue will usually suit this situation when positioned on a suitable outside wall. Suitable for the Focus RS, Symphony\* and Quartet.

\*The Symphony can be flued sideways for up to 5m - see dealer for details.

Due to the vast number of varying flue types, your existing fire may need to be removed to confirm your flue type and product suitability.

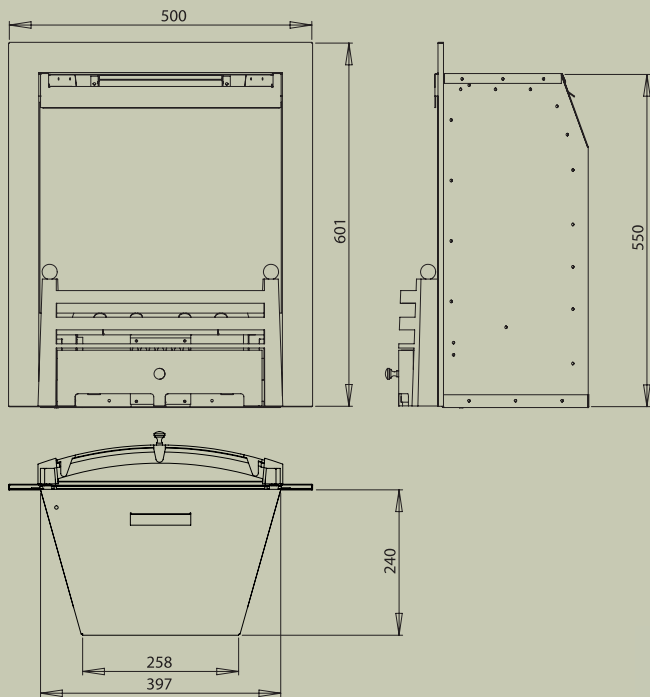
All chimneys and flues should be regularly checked for debris and efficiency and swept where appropriate. Chimneys and flues, even if properly constructed, can suffer from unexpected problems that cannot always be detected prior to installation. For this reason, the smoke test outlined in the fitting instructions must always be completed prior to and after installation of any gas fire.

**Please note:** Paragon Fires' policy is one of constant development and improvement. Paragon Fires therefore reserve the right to revise the specification and design of its fires without formal notice. This brochure is not intended to replace the need to view the appliance before purchasing.

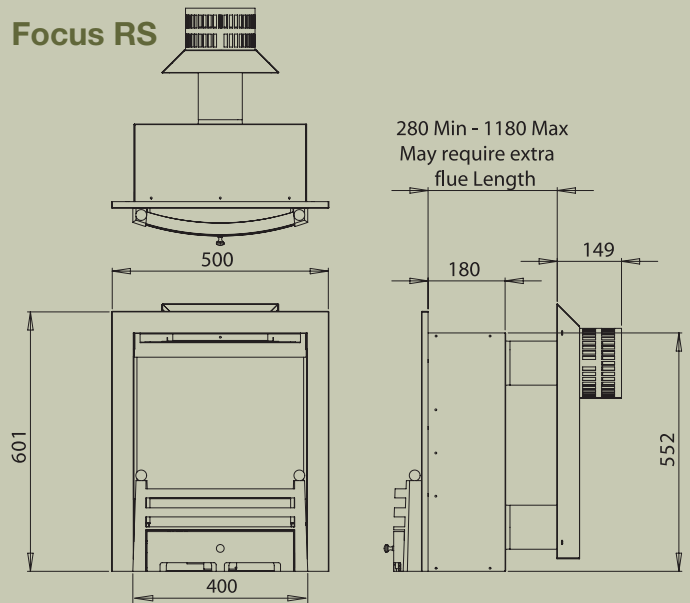
# Specifications and dimensions

## Conventional fires

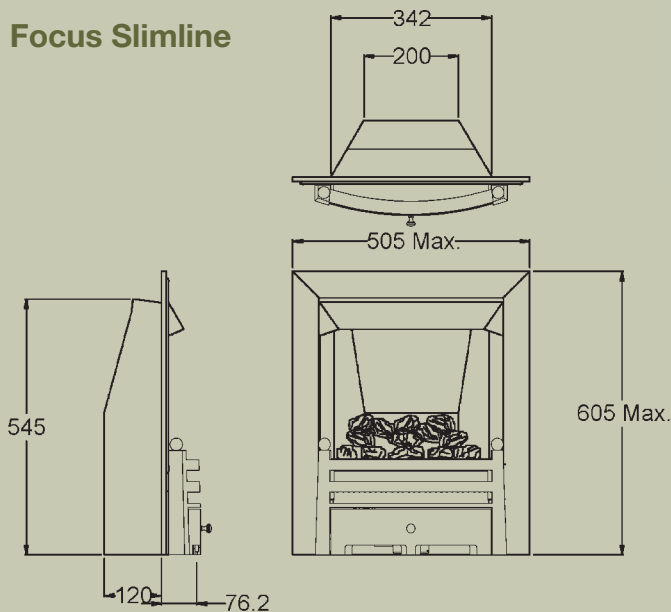
### Focus HE



### Focus RS



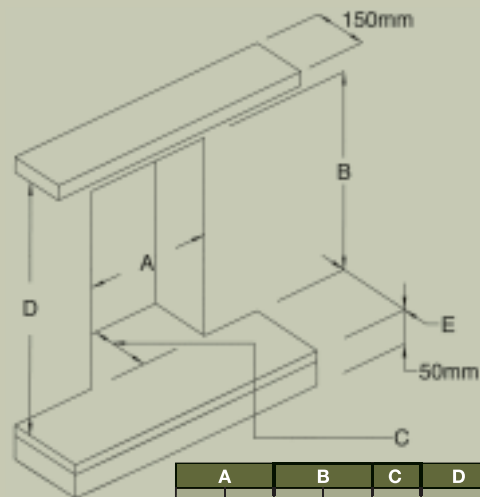
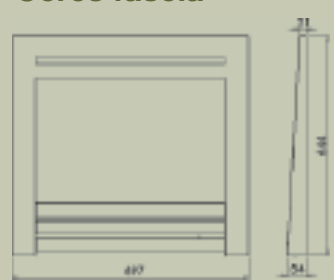
### Focus Slimline



### Solar III fascia



### Ceres fascia



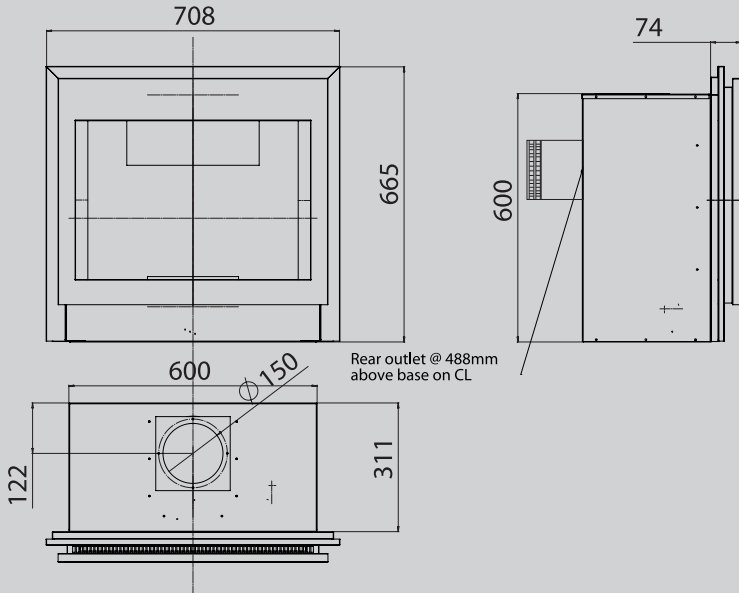
### Heat Inputs, Outputs and Efficiency

		Input		Net Efficiency	Output	
		NG	LPG		NG	LPG
Focus HE	high	5.5kW	5.1kW	89%	upto 4.4kW	upto 4.0kW
	low	2.4kW	2.7kW	70%	upto 1.7kW	upto 1.9kW
Focus RS Range	high	5.2kW	5.1kW	86.65%	upto 4.4kW	upto 4.4kW
	low	2.4kW	2.4kW	57%	upto 1.38kW	upto 2kW
Focus Slimline	high	5.5kW		75%	upto 4.1kW	
	low	2.4kW		65%	upto 1.5kW	

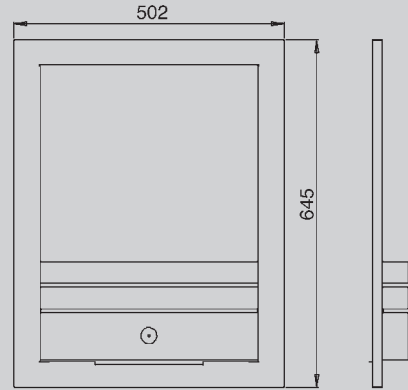
Model	A	B	C	D	E
Focus HE	456	400	580	560	320
Focus Slimline	440	345	575	547	140
Focus RS	440	405	585	553	185

# Hole-in-the-wall fires

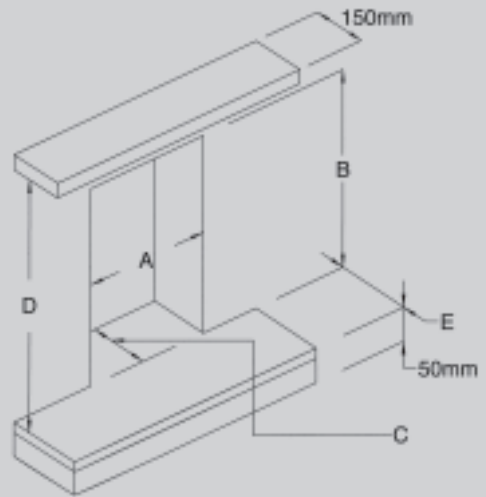
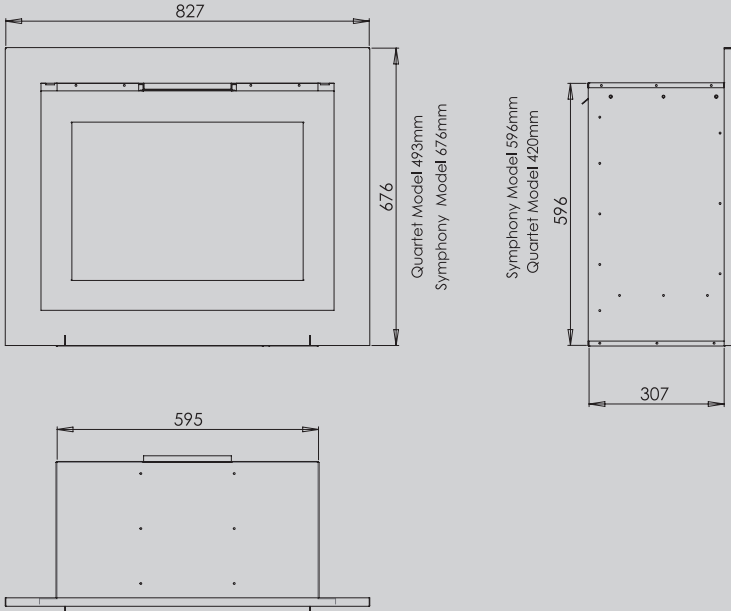
## Symphony BF



## Solar IV fascia



## Symphony and Quartet CF



Model	A	B	C	D	E		
	Max opening width	Min opening width	Max opening height	Min opening height	Min opening depth	Min height for combustible	Min hearth depth
Symphony CF	660	605	630	605	330	780	100
Symphony BF	665	605	630	605	350	780	100
Quartet CF	660	605	450	425	373	N/A	N/A



All Paragon gas fires are manufactured under a BS EN ISO 9001 quality system (registration number 5195), which covers all areas of product design, development, manufacture and service.

Heat Inputs, Outputs and Efficiency						
		Input		Net Efficiency	Output	
		NG	LPG		NG	LPG
Symphony BF rear exit	high low	5kW 2.4kW		90%	upto 4.5kW upto 1.8kW	
Symphony BF top exit	high low	6.5kW 2.4kW		82%	upto 5.8kW upto 1.89kW	
Symphony CF	high low	5kW 2.2kW		84%	upto 4.2kW upto 1.5kW	
Quartet CF	high low	3.8kW 1.35kW		84%	upto 3.2kW upto 0.6kW	



# PARAGON®

A World of heat you can rely on

Paragon Fires,  
A division of Charlton & Jenrick Ltd,  
Units G1 & G2, Halesfield 5, Telford, Shropshire TF7 4QJ Tel: 01952 278020

[www.paragonfires.co.uk](http://www.paragonfires.co.uk)  
Mantels supplied by Katell and Fireline

*Please note:* Paragon Fires' policy is one of constant development and improvement. Paragon Fires therefore reserve the right to revise the specification and design of its fires without formal notice. This brochure is not intended to replace the need to view the appliance before purchasing.