

# PARAGON<sup>®</sup>

A World of heat you can rely on

Open Flame Gas Fires



Catalogue 2009/10



*A collection of open flame gas fires specifically designed for today's homes*

# The designer fire system

For over 20 years Paragon has been at the forefront of improving the technology and efficiency of 'living flame' fires. Our innovative designs, traditional quality and superior craftsmanship let you tailor your fire to meet your needs.

Simply choose the fire to suit your home. Select a stainless-steel, brass or black finish, choose a traditional or contemporary fret, and pick the fuel bed and the control system to meet your needs.



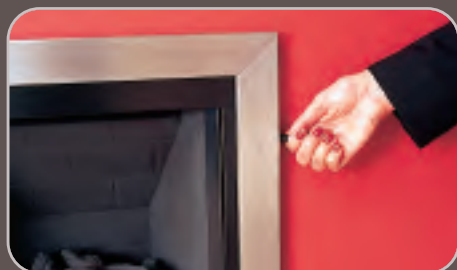
Manual Control

## Putting you in control

You can select from either manual, slide, mains-powered touch control (turbo models), mains remote control (turbo models) or battery remote control.

### Manual control

The gas control and igniter are neatly concealed behind the ashpan cover.



Slide Control

### Slide control

Situated on the right-hand side, the slide control gives you ignition and settings without bending down.



Electronic Touch Control

### Electronic touch control

Available on Turbo models only. Patented sequential ignition and settings at the touch of a button, without bending down. This option can be upgraded to a remote control at a later date by purchasing a handset.



Turbo Remote Control

### Remote controls

Total control without leaving your armchair and, unlike other remote controls, the Paragon remote not only adjusts the flame, but lights the pilot as well. There are two models: a mains (turbo models) and a battery operated handset.



Battery Remote Control

## Tested and approved

Every Paragon fire is tested and approved to the latest European standards, with our quality control systems meeting ISO9001:2000 certification (registration number 5195), which covers all areas of product design, development, manufacture and service.

















## A wider choice of options

Tailor your fire to your exact taste and needs. Choose from:

- 10 different fret options
- 17 trims and fascias
- 5 fuel beds
- Choice of manual, slide or remote control options

In fact, with Paragon you're spoilt for choice.

## At a glance symbols to help you choose

Flues	Fuel Beds	Control
 Pre-cast	 Coal	 Remote
 Class 1	 Pebbles	 Slide
 Five Inch (Class2)	 Granular	 Touch
 Universal (Fits all flues)	 Driftwood	 Manual Control
 Turbo	 Twig	<b>Gas Type</b>  Natural
		 LPG

## Guaranteed quality

Designed to the highest standards, using only the finest materials, means we can be confident about every fire we make. So confident, in fact, each fire comes with a 3-year parts warranty.\*

\*Subject to terms and conditions.

## Conventional fires



Conventional fires are hearth mounted, typically into a fireplace.



## contents



### Standards fires

The Paragon One	4
The 2000 Plus	6
The Slimline 3	8
The Convector	10
The Turbo 2000 Plus	12
Quality Inset Trays	13



### Hole-in-the-wall fires

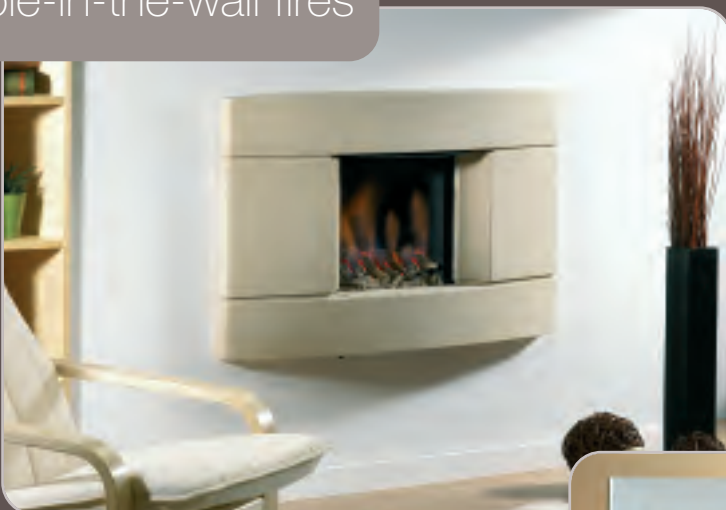
The Siesta/Siesta Solar	14
The Sensor	15
The Panorama	16
The Modulas	17
The Crystal	17
Shelf Burners	18

**Optional Fascias** 19

**Trim & Fret Options** 20

**Specs & Dimensions** 21-23

## Hole-in-the-wall fires



As the name suggests, these fires go into the wall, removing the need for hearths and mantels. Hole-in-the-wall fires can make rooms appear larger and are ideal where space is an issue; they also work well in modern luxurious surroundings where you wouldn't expect to find a traditional fireplace.



# The Paragon One

## Conventional fires

*Class 1 fires for almost any chimney.*

The Paragon One has been designed to give you the big picture. A huge realistic fuel bed available with either coal or pebbles. In common with all Paragon products, a wide choice of trims and frets are available to enable you to create your perfect fire. The Paragon One is even suitable for hole-in-the-wall installation as seen to the right.

### Traditional or hole-in-the-wall installation

Introducing the Paragon One, a class leading fire for installation into chimneys & class II 5" flues.

- Extra wide and deep fuel bed to give probably the most realistic flame effect in its class
- Heat outputs of up to 4.2kW due to its high-efficiency burner system
- 2 ultra-realistic fuel beds - choose from coal or pebble
- No canopy to mar the clean lines of this classically styled fire
- Choose a control system to suit you: manual, slide or even full sequential remote control
- Can be wall mounted without a hearth using a four-sided trim or three-sided trim on a mini hearth
- 60% efficiency - higher than most other similar fires
- 3-year parts guarantee, subject to terms and conditions



This illustrates the new Paragon One with Solar IV graphite fascia. When installed with this trim, the fire does not require any hearth, providing the fire is 105mm off the floor. (Available in graphite and brushed stainless steel).



The Paragon One with contrast brass trim, antique Wellington fret and coal fuel bed. Shown with the Rimini mantel from Katell.

Fits most chimneys and class II, 5" flues

Also available as a hole-in-the-wall fire



The Paragon One with chrome trim, Gate fret and coal fuel bed. Shown with the Siesta mantel from Katell.



Features: 1 2 NG      4.2 kW 5

# The 2000 Plus

## Conventional fires



*No more pre-cast flue compromises.  
The 2000 Plus is our most versatile fire.  
It is designed specifically for chimneys  
or pre-cast flues and is suitable for either  
hearth or wall mounting.*

Nothing is as welcoming as a 'living flame' fire and with the new 2000 Plus range you can find a model to fit every home, making a comfort statement in any room. The superb, realistic coal and pebble fire effects produce up to 4.2kW heat output at a 60% efficiency, giving you all the glowing warmth you need.

### Spoilt for choice

But the 2000 Plus range isn't just about practical efficiency, it's also about style and design. You can choose from a large range of trim and fascia options, with three fret designs in up to four finishes and all are available with choice of ribbed, plain or brick firebacks. So you can make a real style statement with a contemporary look, or go for a more traditional design.

### No hearth

The 2000 Plus can be installed on either a mini hearth or with a 4-sided trim if the fire is a minimum of 105mm (4 1/4") off the floor.

The 2000 Plus range also has the option of a retro-fitted canopy; this not only looks good but it is also designed for certain older pre-cast flues, where air flow is restricted through poor flue design, to improve the performance of the flue.

## Choose the style and design to suit your home



Firebacks are available in reversible plain black or brick as standard with reversible beige ribbed or plain as an option. A complete range of trim and fret options is shown on page 20.



Coal fuel bed.



Pebble fuel bed.



Black trim and black Gate fret shown with pebble fuel bed.

Fits most chimneys and pre-cast flues

Also available as a hole-in-the-wall fire (see page 19)



Elegance silver trim, chrome Gate fret and coal fuel bed shown with the Treviso Gallala mantel from Fireline.



Brass trim and brass Wellington fret shown with coal fuel bed and optional canopy.



The Heatsaver fan cover.

NO CHIMNEY? We can help! See page 12 for details about the Turbo 2000 Plus range and the Heatsaver fan cover.

**Flue and hearth:** The Paragon 2000 Plus range is designed to operate on pre-cast flues with a 75mm (3") rebated surround, or class 1 or 2 flues. The min. diameter of a circular flue is 125mm (5").

**Ventilation:** The Paragon 2000 Plus range does not normally require any purpose-built ventilation. Please note that within the island of Ireland, permanent ventilation must comply with the regulations currently in force.

**Fire spacers:** Two types of spacers are available to facilitate fitting the fire in the shallower flue openings: 20mm and 43mm.

Features:



\*electronic power flue only

# Slimline 3

## Conventional fires



Slimline 3 with brass Solar III fascia shown with coal fuel bed.

With its remarkably slim profile, the Slimline 3 is especially designed for pre-cast flues but will fit almost any flue, from conventional chimneys to pre-fabricated flues.

- An advanced burner provides what is probably the most realistic flame effect and fuel bed with high-efficiency heat output
- Choice of trims and frets in four different finishes and two contemporary fascias, see back page for full range
- Choice of coal or pebble fuel beds
- Choice of manual or slide controls
- A unique front of fire bed glow adds to the welcoming realism of this exquisite model
- A low lintel version is available for 20" high openings
- Fits majority of pre-cast flues on a 1" rebate
- Heat output 4kW
- 3-year parts guarantee, subject to terms and conditions

*Slim, elegant and the perfect fire for virtually any chimney or flue.*



Slimline 3 with brushed stainless steel Solar III fascia shown with pebble fuel bed.



Slimline 3 with brass trim and antique Wellington fret shown with coal fuel bed.

*Fits most chimneys and pre-cast flues*



Slimline 3 with brass trim and brass Gate fret shown with coal fuel bed.

**Flue and hearth:** The Slimline 3 range is designed to operate on pre-cast, class I and class II flues. The minimum diameter of a circular flue is 125mm (5") with minimum effective height of 3 metres. Pre-cast flues must be constructed correctly and the appliance must pass a spillage test upon installation. A non-combustible hearth extending a minimum of 300mm (12") in front of the fire and 150mm (6") either side, with a non-combustible depth of 50mm (2") is required. All chimneys and flues should be regularly checked for debris and efficiency and be swept where appropriate.

**Ventilation:** The Slimline 3 range does not normally require any purpose-built ventilation. Please note that within the island of Ireland, permanent ventilation must comply with the regulations currently in force.

**Low lintel model:** For fireplaces with a lower than standard fire opening, a reduced height model (20 inches) is available to special order, but only with a brass trim.

**Fire spacers:** A 20mm spacer is available for fitting fires into shallower flue openings.

Features:



# The Convector

## Conventional fires

*High efficiency from a wide, deep fuel bed.*

Traditionally beautiful with a performance to match today's lifestyle. The Convector offers excellent heat output giving greater warmth through efficient convection.

### The Convector

The Convector is available with either a traditional coal or contemporary pebble-effect fuel bed and like our conventional 2000 Plus range, you can choose from a wide range of fret designs in brass, black or chrome with matching trims.

- Choice of manual control or a battery-operated remote complete the package
- Heat output 4.5kW
- Includes a 3-year parts warranty, subject to terms and conditions



**Want even more efficiency?  
Take a look at our glass-  
fronted range.**

For Paragon's range of highly efficient, high output fires, ask for our Focus brochure.



**Flue and hearth:** Paragon 2000 Plus Convactor models are designed to work on Class I chimneys or Class II, 7" fabricated metal flues only. The conventional brick or stone chimneys are used for a solid fuel appliance with a minimum effective cross-sectional dimension of 225 x 225mm (9x9"), or a lined/fabricated flue with a minimum diameter of 175mm (7") having a minimum effective overall height of 3m (10ft). The 16" NG & LPG versions are approved with a 5" cowl fitted provided the appliance passes the mandatory spillage test. A non-combustible hearth extending a minimum of 300mm (12") in front of the fire and 150mm (6") either side; with a non-combustible depth of 50mm (2") is required. All chimneys and flues should be regularly checked for debris and efficiency and be swept where appropriate.

**Ventilation:** No air vent normally required. Please note that within the island of Ireland permanent ventilation must comply with the regulations currently in force.

**NB:** Solar trims do not suit this fire.

For class I chimneys



2000 Convector shown with brass trim, antique Wellington fret and coal fuel bed. Shown with natural oak Hexham mantel from Katell.

Features:

1

LPG

NG



4.5 kW

11

## Conventional fires



Drawing of power flue in operation.

### How a power flue works

If you do not have a chimney or flue but have a suitable outside wall, then a power flue fire can remove the fumes horizontally through the wall with the aid of a fan. This gives you the beauty of a living flame fire without glass panels.

Being at the forefront of gas fire technology has enabled Paragon to produce a world-beating range of 'Turbo' fires and with safety in mind, there's an electronic air-flow management system to ensure correct air flow is maintained.

### Make your fire more efficient with the 'Heatsaver' fan cover – a new answer to an old problem

All power flues have a flue pipe to the outside which when not in use can let some cold air back into the room. Paragon is the only company to have a device to reduce this. The optional Heatsaver cover is an interlocking electro-mechanical device that closes the flue off when the fire is turned off. Patent pending.

*The no chimney, no flue solution. With a power flue, everyone can enjoy an open, living flame fire.*

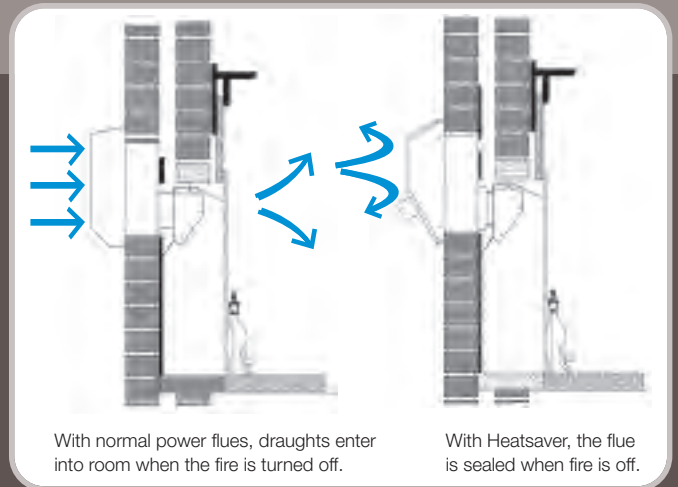
All 2000 Plus fires except the slide control can be bought as a Turbo with either manual control or touch pad control. The touch control can be upgraded to full remote, which also controls the fan and the ignition system. Patented GB2302965.



The Heatsaver fan cover.



The standard fan cover.



With normal power flues, draughts enter into room when the fire is turned off.

With Heatsaver, the flue is sealed when fire is off.

### The power flue can be specified with all these trim and control options

Like all the 2000 Plus range, you can choose from a wide range of frets, trims (more limited range on touch control), fire backs and fuel beds to tailor the fire to your personal taste – and of course there's a choice of control, manual, touch pad or remote control that not only adjusts the flame, but operates the fan and lights the pilot as well.

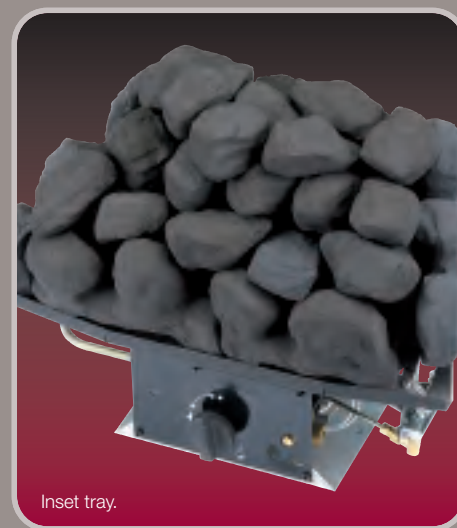
**Flue and hearth:** A non-combustible hearth must extend a minimum 300mm (12") in front of the fire and 150mm (6") either side with a non-combustible depth of 50mm (2"), or a mini hearth at minimum 105mm (4 1/4") off the floor with depth 100mm (4") and width of 505mm (20"). The fan unit protrudes outside the wall of your house. If this airspace is not your own, we recommend that you obtain the owner's written permission before proceeding. Standard flue length 435mm, optional flue length 1000mm.

**Ventilation:** The Paragon 2000 Plus Turbo does not normally require any purpose-built ventilation. Please note that within the island of Ireland, permanent ventilation must comply with the regulations currently in force. There are special rules for timber-framed houses.

# Quality inset trays

Fits most chimneys

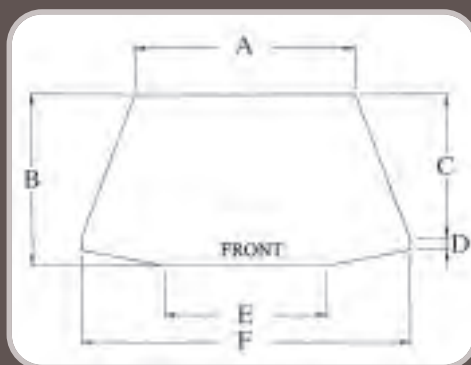
## Conventional fires



*For a beautiful, deeper fuel bed.*

At the heart of every living flame fire is the fuel bed. At Paragon we have designed our fuel beds to be safe, easy to use and generous in size.

- Choice of 16" or 18" wide fuel beds
- Manual or battery-operated remote control which, unlike most units, lights the pilot and adjusts the flame
- Choice of coal or pebble fuel beds
- Suitable for class I chimneys, class II 5" lined or pre-fabricated flues
- Natural gas and LPG version
- Super-safe Oxy-pilot turns off the gas in the unlikely event of depletion in the oxygen level in the room
- 3-year parts guarantee, subject to terms and conditions



Dimensions	16"	18"
Overall Height (inc. coals)	300mm	300mm
Overall Width	390mm	440mm
Overall Depth (without fret)	210mm	210mm
A	258mm	307mm
B	206mm	206mm
C	174mm	174mm
D	14mm	14mm
E	190mm	190mm
F	385mm	435mm

**Flue and Hearth:** The Paragon 2016, 2018 Inset Trays require a Class 1 flue or chimney of a min. 7 inch (175mm) diameter or class II 5" lined or pre-fabricated flue with a min. effective height of 3 metres. A non-combustible hearth extending a min. of 12 inches (300mm) in front of the fire and 6 inches (150mm) either side, with a non-combustible depth of 2 inches (50mm) is required. Either the hearth itself or a fender must be at least 2 inches (50mm) tall to prevent combustible items sliding up to the fire.

# Siesta/Siesta Solar

*Fits in all chimneys and pre-cast flues*

Hole-in-the-wall fires



Siesta silver shown with pebble fuel bed. This fascia is only available with the remote control.



Siesta graphite shown with pebble fuel bed. This fascia is only available with the remote control.

When it comes to Hole-in-the-wall designs, modern houses with pre-cast flue systems have had to take 2nd best – until now.

Paragon now makes two stunning fires for pre-cast flues that don't need major flue work to install.

- Modern Hole-in-the-wall design that fits most pre-cast flues
- Choice of coal or pebble fuel bed
- No need to modify standard 12" x 4" flueblocks
- Can be fitted 6" to 8" off the floor (150 – 200mm)
- Manual and remote control options
- 3.6 kW output



Siesta Solar stainless steel shown with coal fuel bed.



Siesta Solar graphite shown with pebble fuel bed.



Fits a pre-cast flue in 3 easy steps.

# The Sensor

*Fits most chimneys and pre-cast flues*

Hole-in-the-wall fires

*Modern and stylish, the new Sensor fire from Paragon has been designed to take centre stage in today's luxurious living rooms.*

A modern and stunning stainless steel fire that uses the best selling Paragon One and 2000 fires as its basis.

Versatile in that you don't have to have a flue or chimney, as the Paragon 2000 Turbo power flue fire can be used to fit the fire to most outside walls. The ideal design for the modern home.

Please see page 4 for full details of the Paragon One or page 6 for the Paragon 2000; you choose the fire from these that best suits your needs.



The Sensor

**Features:** See relevant fire for exact details: Paragon One page 4, Paragon 2000 page 6.

# The Panorama

For class I & II chimneys

Hole-in-the-wall fires



The Panorama in graphite with black fire back and pebbles.

This simple but elegant design conceals a number of advanced engineering solutions, making it the perfect choice for modern homes.

## Easier fit

The fire tray has been designed to mount lower than most conventional fires, allowing a large opening on what is only an 18" high box. This means it will fit more easily into modern chimneys, which tend to have a lower than normal structural lintel.

## Choose from:

- Choice of 3 fuel beds: coal, pebble or twig
- 2 fire back colours: black or brushed stainless steel
- Fascias available in graphite or silver



The Panorama in silver with brushed stainless-steel fireback and coal fuel bed.



Black fire back.



Coal fuel bed.



Pebble fuel bed.



Twig fuel bed.



Brushed stainless-steel fire back.

# The Modulas Curve

*Fits most chimneys*

Hole-in-the-wall fires



The Modulas Curve shown with sandstone finish and driftwood fuel bed.

*Style statements  
in design...*

The Modulas Curve is an inspired, thoroughly modern fire. It has a curved fascia in a sandstone finish which makes a bold, contemporary statement.

This fire will fit into most chimneys, 5" flues and some of the deeper pre-cast flues. There is even a Turbo version that will fit on most outside walls if you have no chimney. The super-realistic driftwood or pebble fire effect produces up to 3.6kW heat output.

**Features:** 1 2   NG    3.6 kW

\* May require alterations to pre-cast flue and will require extra depth.

# The Crystal

*Fits most chimneys*



The Crystal

*Stunning black  
glass-framed  
open flame hole-  
in-the-wall fire.*

Simple yet beautiful, this glass fascia fire uses the best-selling Paragon One & 2000 range of fires as its basis. It also has a choice of coal or pebble fuel beds.

Please see page 4 for full details of the Paragon One or page 6 for the Paragon 2000. You choose the fire from these that best suits your needs.

**Features:** See relevant fire for exact details: Paragon One page 4, Paragon 2000 page 6.

# Shelf Burners

For class I & II chimneys

Hole-in-the-wall fires

Carved Persian limestone and the advanced Shelf Burner combine to create these stunning Hole-in-the-wall fireplaces.



Elam

These ingenious units are specially designed, decorative fires that can be fitted into the hearth, in order to give that extra-clean minimal look.

Paragon, in conjunction with its sister company, Fireline UK, has created the designer collection of fireplaces for this fire. These are all carved from beautiful Persian limestone.

If you wish to create your own fireplace feature using this fully remote-controlled fire, you can!



Kashi



Susa

## Shelf Burner fuel bed options

Choose from 6 different fuel beds, all with glowing embers.



Granular white fire bed



Granular grey fire bed



Ceramic pebble fuel bed



Ceramic extra pebble fuel bed



Ceramic coal fuel bed



Ceramic extra coal fuel bed



# Fascias

For use with the Paragon 2000 and Paragon One range of gas fires

## Conventional & hole-in-the-wall fires



Solar IV models feature mitre-free corners – laser profiled out of a single sheet of metal.

2000 Plus Solar IV in stainless steel shown with pebble fuel bed.

*Dress your fire with a different fascia*

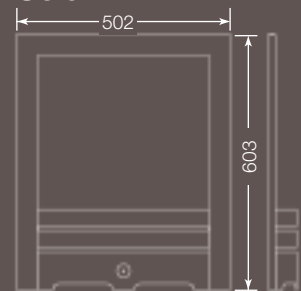
### Solar IV

Featuring a unique 4-sided trim that is laser profiled from a single sheet of metal to make it mitre free. This stylish fascia is available on either the class-leading Paragon 2000 open multi-flue fire which can be ordered with one of 3 fire backs, 2 fuel beds and 3 control systems or for an extra high efficiency of 89% and low running costs these fascias can be fitted to our second generation Paragon Focus range. (See our high efficiency Focus brochure for more details).

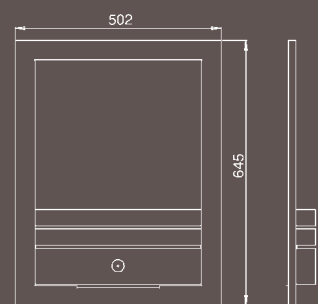
### Solar III

The Solar III can also be mounted on a mini hearth with 3-sided trim in either brass or brushed stainless steel. If there is no chimney, our 2000 Turbo can be used to fit the fire to almost any suitable outside wall. The Solar III is also for use with the Slimline III fire.

### Solar III



### Solar IV



Solar III brass fascia and coal fuel bed.



2000 Plus Solar IV in graphite shown with pebble fuel bed.

### Solar III & IV fret & trim options



Brass 3 sided



Stainless steel 3 sided



Graphite 3 sided



Graphite 4 sided



Stainless steel 4 sided

# Trim & Fret options

Choose the perfect trim & fret for your fire

## Conventional fires

### Fret options



Wellington brass



Wellington antique



Wellington chrome



Wellington black



Tulip brass



Tulip antique



Tulip black



Gate brass



Gate chrome



Gate black

### Standard fire trim options



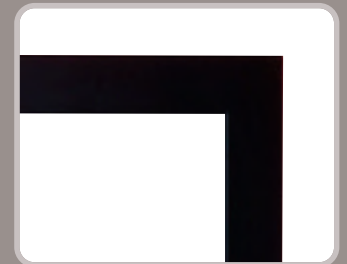
Brass



Brushed stainless steel



Chrome



Black

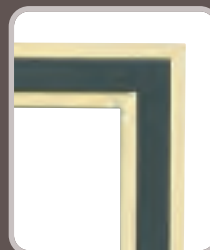
### Elegance and Contrast fire trim options



Elegance brass



Elegance silver



Contrast brass



Contrast chrome



Contrast stainless steel

### Post trim options



Satin



Black

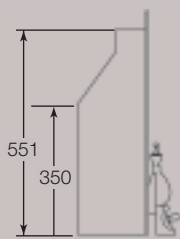
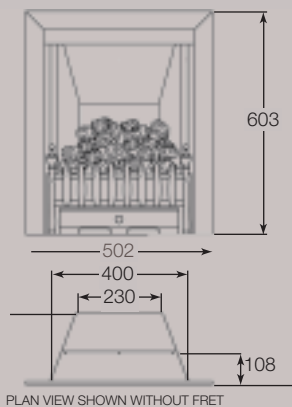


Brass

# Specifications and dimensions

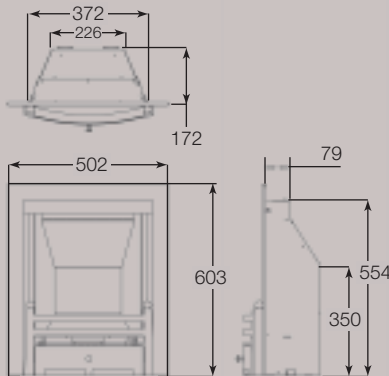
## Conventional fires

### Paragon One

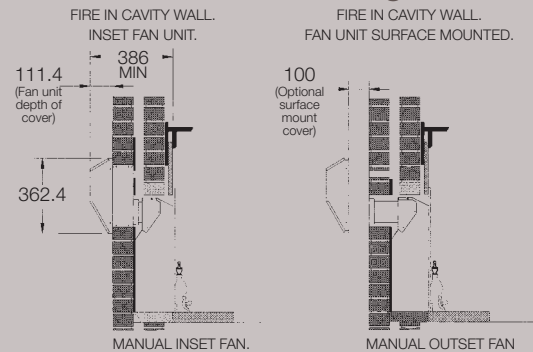


SPACES AVAILABLE  
20mm Reduces Depth to 210mm  
43mm Reduces Depth to 187mm

### The 2000 Plus Range

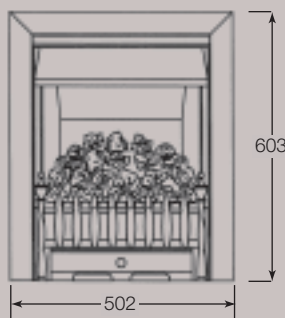
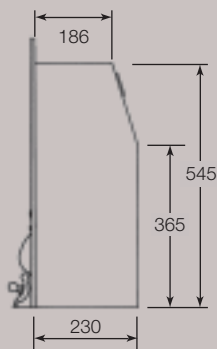


### 2000 Plus Turbo Range

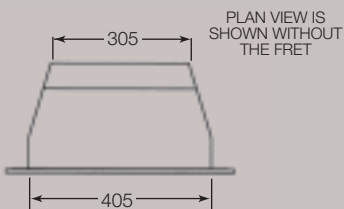
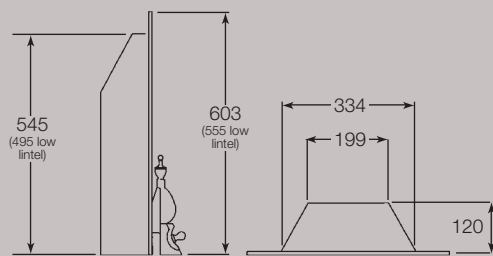


If the appliance is set back into the cavity, the space behind, to the sides and above must be insulated i.e. Rockwool. Minimum dimension will depend upon wall thickness.

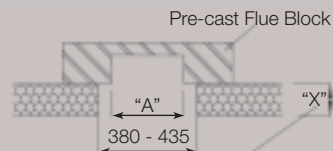
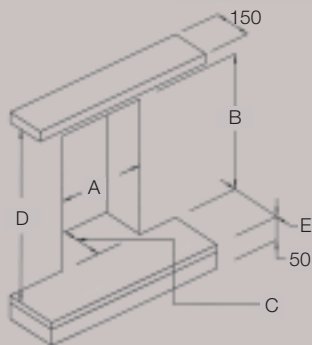
### Convector



### Slimline 3 Range



PLAN VIEW IS SHOWN WITHOUT THE FRET



ADDITIONAL DEPTH INCLUDING PLASTER AND FIREPLACE

Slimline 2000	SPACER "A"	"X" MINIMUM (including plaster)		
	NONE	20mm	42mm	
300	83	63	41	
310	70	50	28	
320	60	40	18	
300	30	10		
320	15	0		

Model	A	B	C	D	E	Min height from floor for no hearth		
	Max opening width	Min opening width	Max opening height	Min opening height	Min opening depth		Min height for combustible	Min hearth depth
Paragon One	458	400	578	552	250	700	300	105
Slimline 3	440	340	570	550	140	700	300	N/A
2016/2018	-	-	-	-	-	-	300	N/A
Convector	450	415	570	550	255	1006	300	N/A
2000 Plus	458	380	578	552	185	700	300	105

All dimensions in mm

### Heat Inputs, Outputs and Efficiency

		Input		Net Efficiency	Output	
		NG	LPG		NG	LPG
Paragon One	high	7.0kW	6.65kW	60%	upto 4.2kW	upto 4.0kW
	low	2.4kW	2.4kW	54%	upto 1.3kW	upto 1.3kW
All 2000 Plus Series	high	7.0kW	6.65kW	60%	upto 4.2kW	upto 4.0kW
	low	2.4kW	2.4kW	54%	upto 1.3kW	upto 1.3kW
Slimline 3	high	7.0kW		58%	upto 4.0kW	
	low	2.2kW		50%	upto 1.3kW	
Convector	high	7.0kW	7.0kW	63%	upto 4.5kW	upto 4.5kW
	low	2.4kW	2.4kW	57%	upto 1.4kW	upto 1.4kW
Inset Tray 2016	high	7.0kW	7.0kW			
	low(M)	4.8kW	3.35kW			
	low(R)	2.4kW	2.4kW			
Inset Tray 2018	high	10.25kW	10.0kW			
	low	5.4kW	3.65kW			

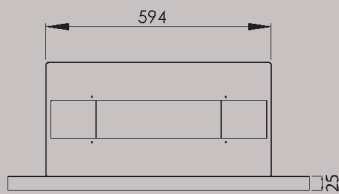
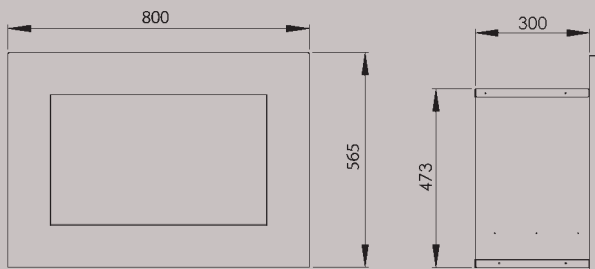
### Inset Tray Range Availability

Model	Fuel bed width	Fuel options		Chimney options			Control options		Fuel beds		Frets
		Nat. Gas	LPG	Class 1	Pre-cast	5" Pre-fabricated	Manual control	Remote control	Pebble	Coal	
Inset Tray 2016	16"	✓	✓	✓	✗	✓	✓	✓	✓	✓	Ask Stockist
Inset Tray 2018	18"	✓	✓	✓	✗	✗	✓	✗	✓	✓	Ask Stockist

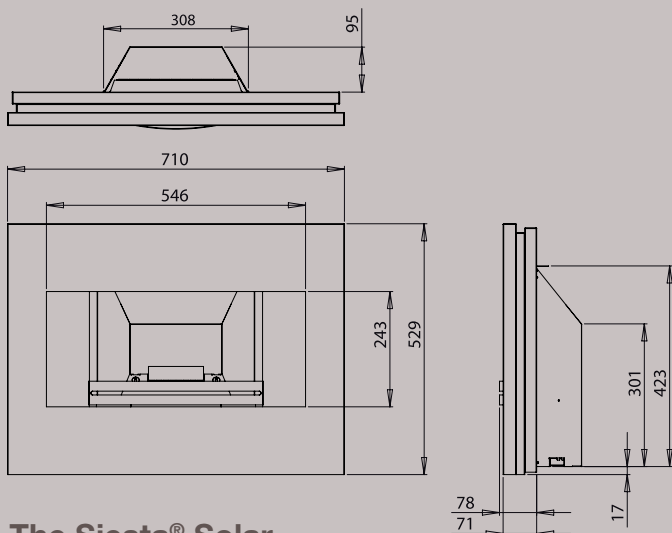
# Specifications and dimensions

## Hole-in-the-wall fires

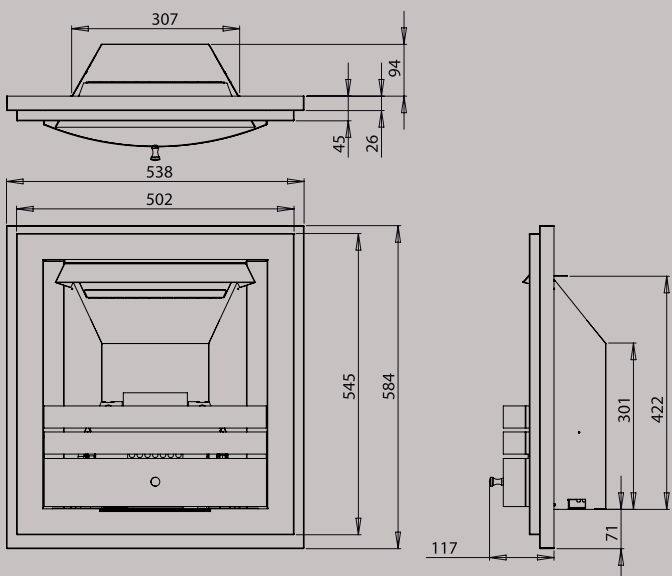
### The Panorama



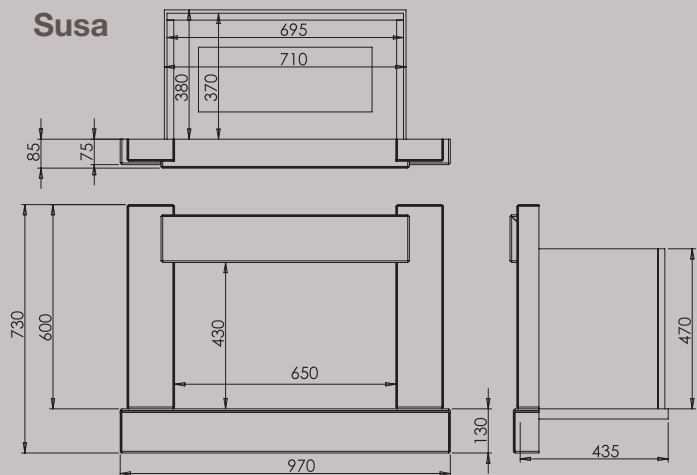
### The Siesta<sup>a</sup>



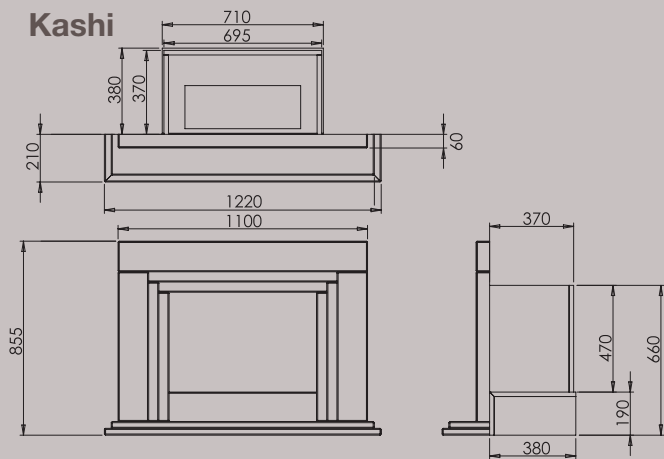
### The Siesta<sup>®</sup> Solar



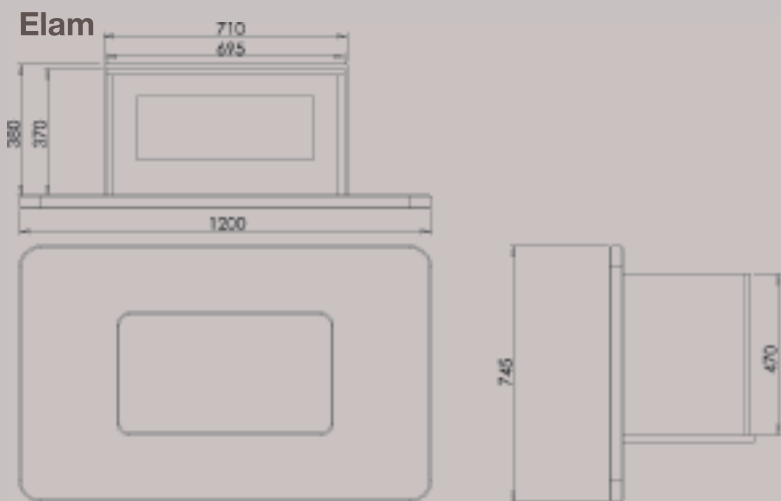
### Susa



### Kashi



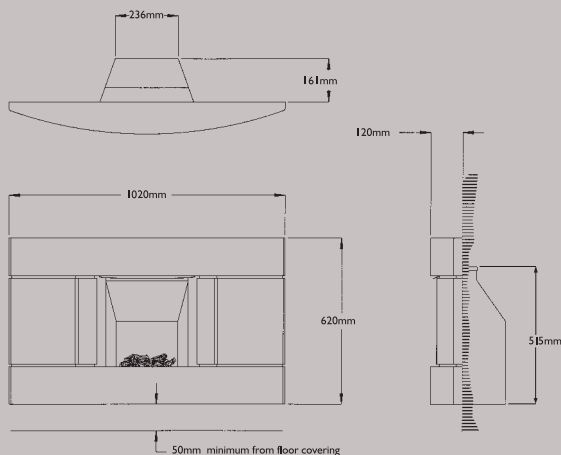
### Elam



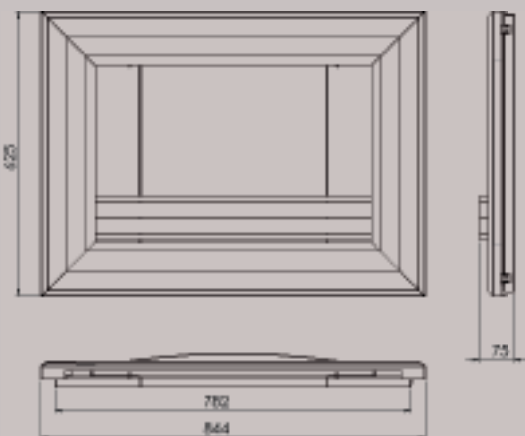
### Heat Inputs, Outputs and Efficiency

		Input		Net Efficiency	Output	
		NG	LPG		NG	LPG
Panorama Remote	high	7.0kW	-	-	-	-
	low	3.5kW	-	-	-	-
Siesta and Modulas Remote	high	5.5kW	-	55%	upto 3.6kW	-
	low	2.4kW	-	46%	upto 1.1kW	-
Elam, Susa and Kashi	high	7.0kW	-	-	-	-
	low	2.4kW	-	-	-	-
Sensor and Crystal	high	7.0kW	6.65kW	60%	upto 4.2kW	upto 4.0kW
	low	2.4kW	2.4kW	54%	upto 1.3kW	upto 1.3kW

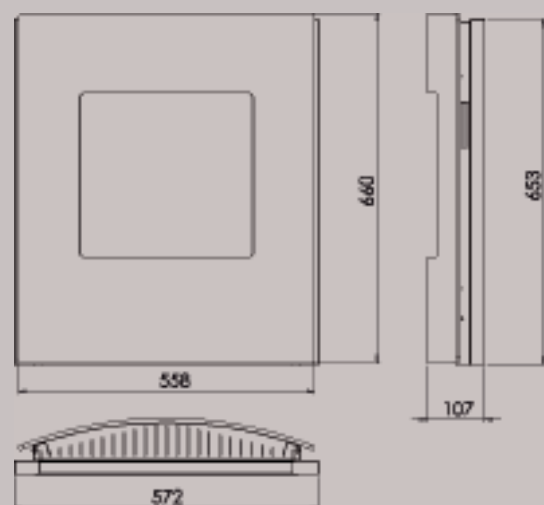
## The Modulas Curve



## Sensor



## Crystal



# Choosing the right fire for your lifestyle

**A brick chimney** (Class 1) is recognised by a chimney stack with accompanying terracotta pot or gas terminal. All of the products shown in this brochure will fit (except the 2000 Plus turbo).

**A pre-fabricated flue** has a metal flue and terminal. Both the 2000 Plus, Siesta, Siesta Solar, Modulas Curve and Slimline 3 will fit a pre-fabricated flue.

**A pre-cast flue** can be identified by a ridge vent or metal flue tube and terminal. The Slimline 3 which has been purposely designed for a pre-cast flue and the 2000 Plus should fit.

**No chimney or flue** – if you have nothing on your roof, you probably have

no chimney or flue. In this case, the 2000 Plus turbo will usually suit this situation when positioned on a suitable outside wall.

Due to the vast number of varying flue types, your existing fire may need to be removed to confirm your flue type and product suitability.

All chimneys and flues should be regularly checked for debris and efficiency and swept where appropriate. Chimneys and flues, even if properly constructed, can suffer from unexpected problems that cannot always be detected prior to installation. For this reason, the smoke test outlined in the fitting instructions must always be completed prior to and after installation of any gas fire.

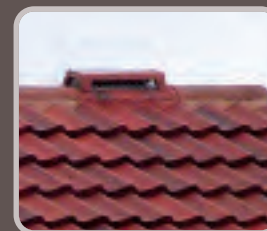
## Typical flue types



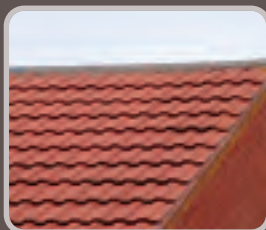
Chimney



Pre-fabricated flue



Pre-cast flue



No chimney or flue



Turbo fan cover



The Heatsaver fan cover

## A little advice about fitting

Current gas safety regulations stipulate that any gas installation must be carried out by a Registered Gas Safe engineer. Your Paragon authorised dealer will be able to advise you on which model will best suit your home, what options are available and how to choose your Gas Safe registered fitter.

Our network of nationwide dealers are here to help you to enjoy the experience of owning a living flame gas fire.

N.B. Living flame fires produce some natural sooting and with lighter fire backs and fuel beds this will be more visible.

All Paragon gas fires are manufactured under a BS EN ISO 9001 quality system (registration number 5195), which covers all areas of product design, development, manufacture and service.



**Please note:** Paragon Fires' policy is one of constant development and improvement. Paragon Fires therefore reserve the right to revise the specification and design of its fires without formal notice. This brochure is not intended to replace the need to view the appliance before purchasing.



# PARAGON<sup>®</sup>

A World of heat you can rely on

Paragon Fires,  
A division of Charlton & Jenrick Ltd,  
Units G1 & G2, Halesfield 5, Telford, Shropshire TF7 4QJ Tel: 01952 278020

[www.paragonfires.co.uk](http://www.paragonfires.co.uk)  
Mantels supplied by Katell and Fireline

*Please note:* Paragon Fires' policy is one of constant development and improvement. Paragon Fires therefore reserve the right to revise the specification and design of its fires without formal notice. This brochure is not intended to replace the need to view the appliance before purchasing.