



PARAGON[®]

A World of heat you can rely on

Electric Fires



Catalogue 2009/10



A collection of electric fires designed to complement today's homes

The Sensations

With 3D Enviraflame™ technology



Brushed stainless steel trim and Arc fret with the Katell Langley mantel

See the fire working at www.enviraflame.co.uk



Brass trim with black Tulip fret



Brass trim and Arc fret

3D Enviraflame™

3D Enviraflame™ technology means that the flame effect uses only 10% of the power of a conventional electric fire.

Here's a stunning effect with a lower carbon footprint; now you need never change a light bulb again.

With the Enviraflame system there are no light bulbs to fail, just ultra low-energy emitters – saving not only money, but the energy needed to make and transport the bulbs, to say nothing of the landfill from spent bulbs.



Full remote control



Chrome trim with chrome Gate fret

No fuss... No trouble... Just plug in, sit back and relax

- Stunning 3D floating flame effect
- Low energy 7W flame effect
- Flame effect still looks great where-ever you are seated in the room
- No need for a glass panel between you and the 'flame'
- Enviraflame technology means that the flame effect only uses 10% of the power of a conventional electric fire! Kind on your pocket and the environment
- Thermostatic heater with two settings – 750W and 1500W
- Remote control as standard
- 3 fuel bed effect settings, adjustable to suit your mood
- Advanced slimline design means that the fire can be installed in any recess mantel with a 3" (75mm) rebate
- Complete with surface mounting spacer – for use on a flat wall without a mantel



Brass trim with antique Wellington fret

The Ecoflame™

A new standard in low energy electric fires



Flame effect uses
95% less energy than a
conventional electric fire and
75% less than a low energy electric fire

*Setting a new
standard in
low energy
electric fires.*

A realistic flame effect, designed to create the perfect ambience for any room.

Building on the success of our popular Electron fire, the new Paragon Ecoflame gives an even more realistic flame effect and offers a choice of trims and frets.



Remote Control

Ecoflame electric fire shown with chrome Gate fret and chrome Contrast trim in the Fireline Munslow mantel.



Ecoflame electric fire shown with black Gate fret and black trim.



Ecoflame electric fire shown with brass Gate fret and brass Contrast trim.

- Ultra low energy LED lighting flame effect uses only 4W
- Live powered animated flame-effect lighting on fireback, inside firebox and under fuel bed
- Choice of attractive trims and frets
- Brass and chrome, metal contrast trims
- Choice of coal or pebble fuel effect
- 1kW & 2kW fan heating with independent flame-effect setting
- Thermostat control for energy saving and comfort
- Full remote control
- 16" x 22" inset fire
- Fits 3" (75mm) rebate
- Sets a new standard in design and aesthetics

The Medi

Flat glass-fronted fire



The Medi

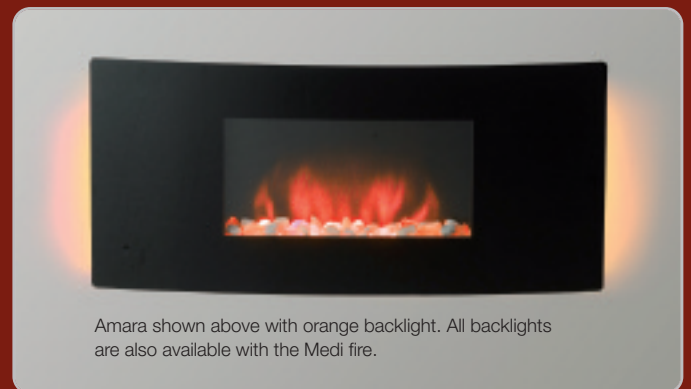
The Medi and Amara

Contemporary and stylish with unique features designed to add a subtle ambience to your living room.

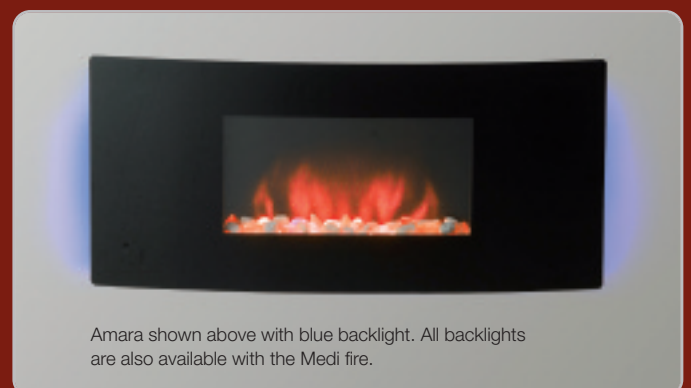
Unique features include subtle ambient backlighting and adjustable flame speed, to add an extra dimension of warmth. However, it's not just the contemporary looks that makes these fires stand out. Our dual heater fans are designed not only to warm your room, but to actually blow down, so the fire can be placed below a wall-mounted plasma TV.



Remote Control



Amara shown above with orange backlight. All backlights are also available with the Medi fire.



Amara shown above with blue backlight. All backlights are also available with the Medi fire.

The Amara

Curved glass-fronted fire



The Amara

Flame Settings

- Ultra low-energy LED flame effect
7W-12W consumption
- 4 flame settings:
 - Bright orange flame with blue flicker effect
 - Bright orange flame
 - Medium orange flame
 - Low orange flame
- 3 flame speeds:
 - slow
 - medium
 - fast

Backlights

- 5 backlight settings:
 - Off
 - Orange
 - Blue
 - Mixed colour
 - Light show (cycles through the colours)



Low orange flame



Medium orange flame



Bright orange flame



Bright orange flame
with blue flicker effect

Heat Settings/Output

- Heater settings:
 - Off
 - Right-hand side fan offering 0.75kW
 - Left-hand side fan offering 0.75kW
 - Both fans on offering 1.5kW

Fuel Bed

- Comes complete with a mixed box of opaque glass stones and natural cararra stones.

Control Settings

- Full remote control & manual back up switches on fire
- 1.5m white power cable, right-hand side entry
- 240v 13 amp input

Fixings

- Complete with simple fixing kit including a full size wall template for ease of installation.

Switch on to stunning contemporary designs

These fires are the heart of any home, making a room warm and welcoming, with the added bonus of being modern and stylish.

Every wall-mounted fire has these built-in features

- Remote control
- Ultra long-life, low-energy bulbs
- Fits easily onto any wall
- Simple mounting with 4 screws
- Concealed 600W heater convection system
- Supplied with a choice of pebble and log fuel beds



All are operated by an easy to use remote control.

The Lucid



The Lucid gunmetal with pebbles

Minimalistic elegance available in gunmetal, black glass and mirror glass finishes. This unique slim design, only 126mm deep, gives the Lucid a modern contemporary look.



The Lucid mirror glass with pebbles



The Lucid black glass with logs

The Gemini

Firestone, a realistic alternative for those wanting a stone finish.

Firestone, from Paragon, gives the look of stone without the inevitable random markings of natural stone.



Gemini firestone with pebbles

The Ethos

The Ethos has a stunning curved-glass fascia.

A slim contemporary design, only 145mm deep, which fits easily onto any wall.



The Ethos with logs

The Elam

The Elam is carved from natural limestone.

Each fascia is unique with its own pattern.



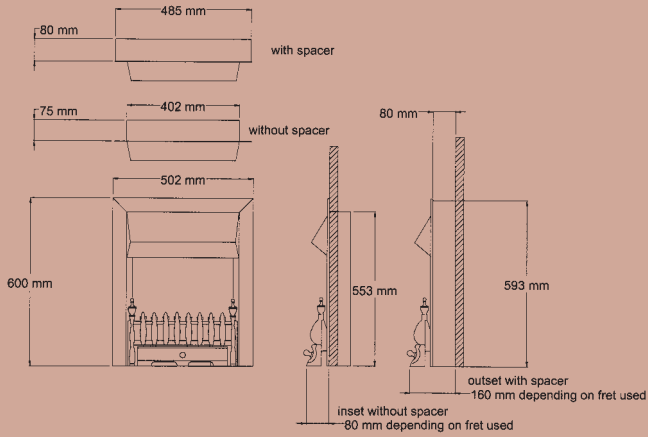
Elam in natural Gallala marble with pebbles



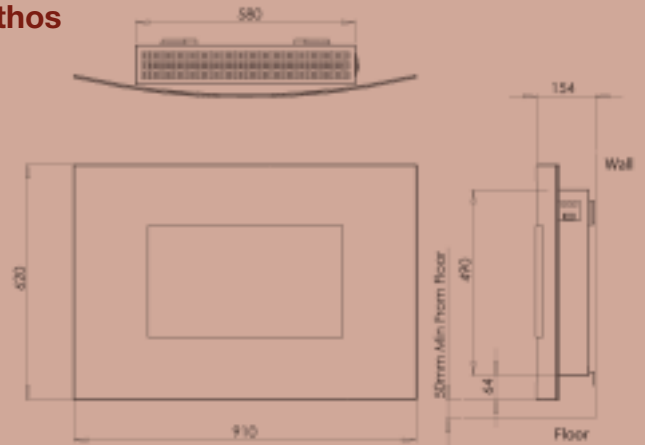
Elam in Limestone with pebbles

Specifications and dimensions

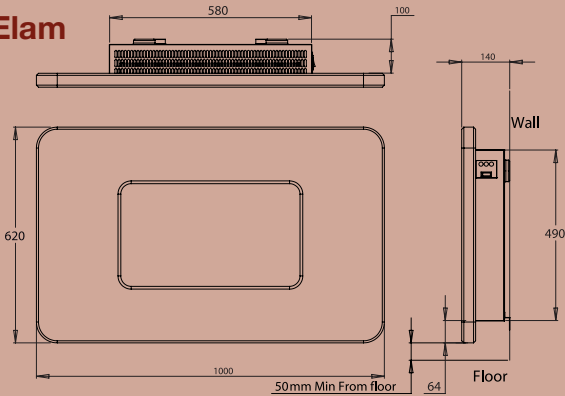
Sensations



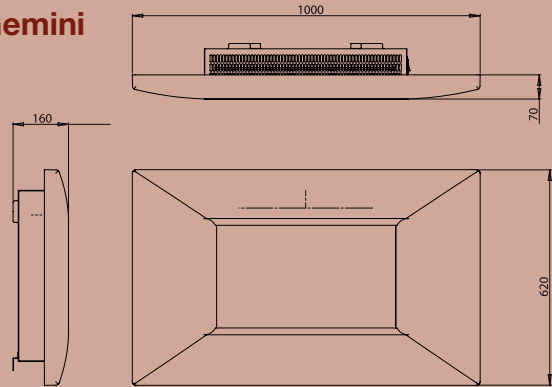
Ethos



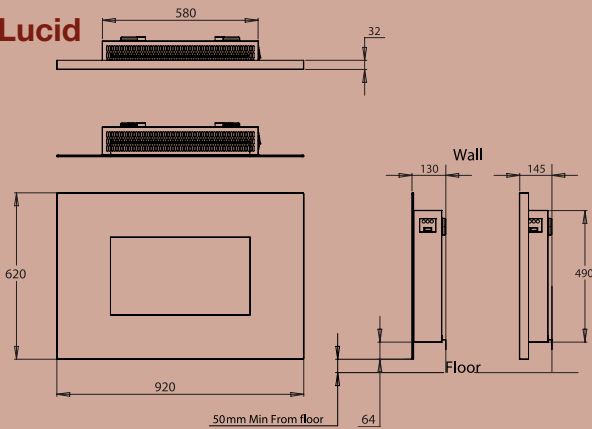
Elam



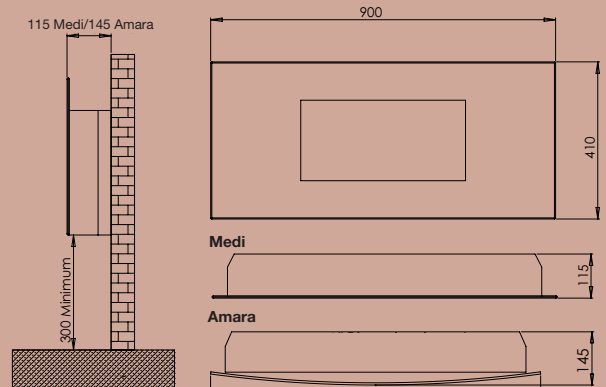
Gemini



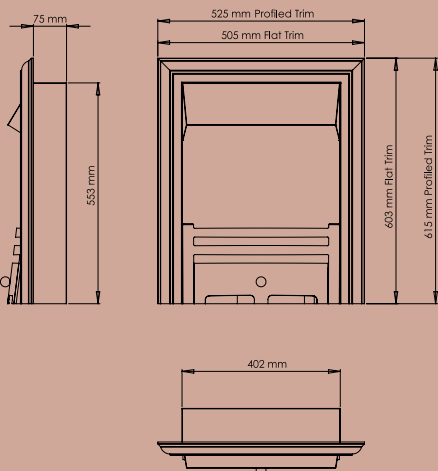
Lucid



Medi and Amara



Ecoflame



All Paragon fires are manufactured under a BS EN ISO 9001 quality system (registration number 5195), which covers all areas of product design, development, manufacture and service.

These appliances conform with the requirements of the amended EEC directive no 89/336/EEC relating to electromagnetic compatibility (EMC) and are independently tested and certified to conform with relevant parts of EN60335.

PARAGON[®]
A World of heat you can rely on

Paragon Fires,
A division of Charlton & Jenrick Ltd,
Units G1 & G2, Halesfield 5, Telford, Shropshire
TF7 4QJ Tel: 01952 278020

www.paragonfires.co.uk
Mantels supplied by Katell and Fireline